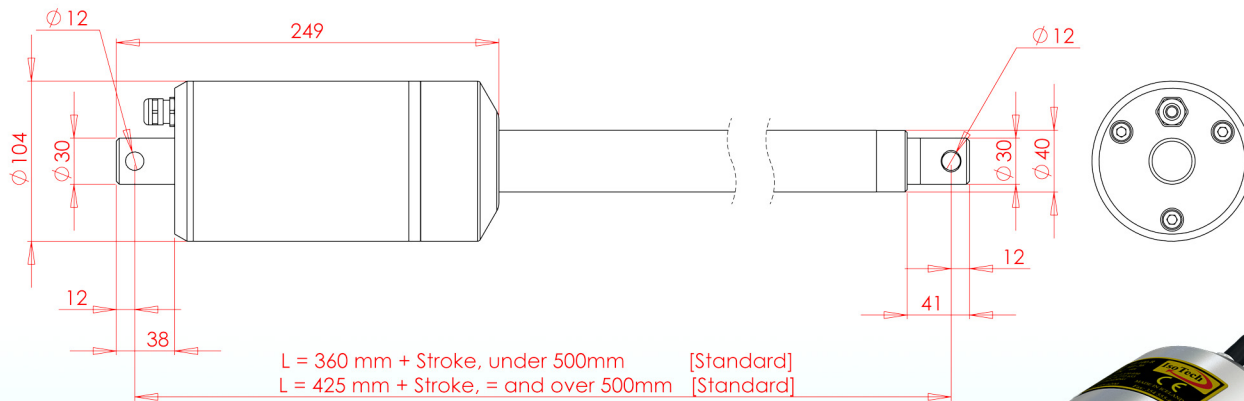


Electrical Actuators 1,5 Ton

Designed for tough conditions



Type: IT 1500 R



Features:

- Very strong,
- Force 15kN, (1,5 Ton)
- Speed 8 mm/s
- 12, 24Vdc
- Amper 12
- Watertight
- Structural strength
- Stainless steel 316
- Environmentally friendly
- No hydraulic oil
- Self lock in any position
- Easy installation
- Available in different stroke
- Patent Pending

Options:

- Different Force
- Different Speed
- Stroke: 50-1000 mm
- Encoder
- Cable Length

24 Vdc
Stainless Steel
Watertight